



DX-C210/C110

Compact Disc Automatic Changer



• *Congratulations on your purchase of the ONKYO DX-C210/C110 CD Player.* • *Please read this manual thoroughly before making connections and turning power on.* • *Following the instructions in this manual will enable you to obtain optimum performance and listening enjoyment from your new DX-C210/C110.* • *Please retain this manual for future reference.*

CONTENTS

Features	1
Important safeguards	2
Precautions	3
Before using this unit	4
System connections	5
Control positions and names	6
Operations	8
Troubleshooting guide	12
Specifications	12

Features

- **Six-Disc Carousel**

The six-disc carousel makes CDs more enjoyable and listening to them easier than ever. Simply place six CDs of your choice (CD singles are okay too) on the circular carousel platter and press the play button. The new format provides faster switching between CDs than magazine type changers. And it gives you the freedom to change your mind. You can replace inactive CDs while one is still playing. Changing the sequence of the not-in-play CDs is just as easy.

- **40-step random access programming**

You can program the CD player to play tracks from any disc. First, switch the unit to the "program mode". Then select your discs and tracks. The tracks will be played in the order in which they're selected. If you program only the disc number, then only the songs from that disc will be played. It's also possible to skip tracks and discs within a programmed sequence.

- **Direct disc access**

Press up and down buttons to go directly to a particular disc. It's that easy to pick and choose. Play starts automatically.

- **Single-Bit D/A Converter and ACCUPULSE Quartz System**

- **Eight Times Oversampling Digital Filter**

- **Three Play Modes: Normal, Memory and Random**

WARNING

TO REDUCE THE RISK OF FIRE OR ELECTRIC SHOCK, DO NOT EXPOSE THIS APPLIANCE TO RAIN OR MOISTURE.

CAUTION

TO REDUCE THE RISK OF ELECTRIC SHOCK, DO NOT REMOVE COVER (OR BACK). NO USER-SERVICEABLE PARTS INSIDE. REFER SERVICING TO QUALIFIED SERVICE PERSONNEL.



- The lightning flash with arrowhead symbol, within an equilateral triangle, is intended to alert the user to the presence of uninsulated "dangerous voltage" within the product's enclosure that may be of sufficient magnitude to constitute a risk of electric shock to persons.



- The exclamation point within an equilateral triangle is intended to alert the user to the presence of important operating and maintenance (servicing) instructions in the literature accompanying the appliance.

- For models having power cord with a polarized plug.

CAUTION:

TO PREVENT ELECTRIC SHOCK, MATCH WIDE BLADE OF PLUG TO WIDE SLOT, FULLY INSERT.

- Sur les modèles dont la fiche est polarisée.

ATTENTION:

POUR EVITER LES CHOCS ELECTRIQUES, INTRODUIRE LA LAME LA PLUS LARGE DE LA FICHE DANS LA BORNE CORRESPONDANTE DE LA PRISE ET POUSSER JUSQU'AU FOND.

ATTENTION FOR BRITISH MODEL:

- Replacement and mounting of an AC plug on the power supply cord of this unit should be performed only by qualified service personnel.
- **IMPORTANT:** The wires in the mains lead are coloured in accordance with the following code:
Blue: Neutral
Brown: Live

As the colours of the wires in the mains lead of this unit may not correspond with the coloured markings identifying the terminals in your plug, proceed as follows:

The wire which is coloured blue must be connected to the terminal which is marked with the letter N or coloured black.

The wire which is coloured brown must be connected to the terminal which is marked with the letter L or coloured red.

- This apparatus complies with requirements of EC directive 87/308/EEC.

Important safeguards

1. **Read Instructions** – All the safety and operating instructions should be read before the appliance is operated.
2. **Retain Instructions** – The safety and operating instructions should be retained for future reference.
3. **Heed Warnings** – All warnings on the appliance and in the operating instructions should be adhered to.
4. **Follow Instructions** – All operating and use instructions should be followed.
5. **Water and Moisture** – The appliance should not be used near water - for example, near a bathtub, washbowl, kitchen sink, laundry tub, in a wet basement, or near a swimming pool, and the like.
6. **Carts and Stands** – The appliance should be used only with a cart or stand that is recommended by the manufacturer.
- 6A. An appliance and cart combination should be moved with care. Quick stops, excessive force, and uneven surfaces may cause the appliance and cart combination to overturn.
7. **Wall or Ceiling Mounting** – The appliance should be mounted to a wall or ceiling only as recommended by the manufacturer.
8. **Ventilation** – The appliance should be situated so that its location or position does not interfere with its proper ventilation. For example, the appliance should not be situated on a bed, sofa, rug, or similar surface that may block the ventilation openings or, placed in a built-in installation, such as a bookcase or cabinet that may impede the flow of air through the ventilation openings.
9. **Heat** – The appliance should be situated away from heat sources such as radiators, heat registers, stoves, or other appliances (including amplifiers) that produce heat.

PORTABLE CART WARNING

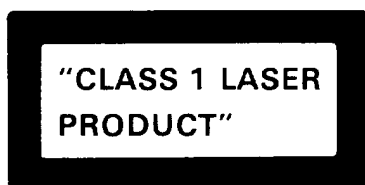


S3125A

10. **Power Sources** – The appliance should be connected to a power supply only of the type described in the operating instructions or as marked on the appliance.
11. **Polarization** – If the appliance is provided with a polarized plug having one blade wider than the other, please read the following information: The polarization of the plug is a safety feature. The polarized plug will only fit the outlet one way. If the plug does not fit fully into the outlet, try reversing it. If there is still trouble, the user should seek the services of a qualified electrician. Under no circumstances should the user attempt to defeat the polarization of the plug.
12. **Power-Cord Protection** – Power-supply cords should be routed so that they are not likely to be walked on or pinched by items placed upon or against them, paying particular attention to cords at plugs, convenience receptacles, and the point where they exit from the appliance.
13. **Cleaning** – The appliance should be cleaned only as recommended by the manufacturer.
14. **Nonuse Periods** – The power cord of the appliance should be unplugged from the outlet when left unused for a long period of time.
15. **Object and Liquid Entry** – Care should be taken so that objects do not fall and liquids are not spilled into the enclosure through openings.
16. **Damage Requiring Service** – The appliance should be serviced by qualified service personnel when:
 - A. The power-supply cord or the plug has been damaged or
 - B. Objects have fallen, or liquid has been spilled into the appliance or
 - C. The appliance has been exposed to rain or
 - D. The appliance does not appear to operate normally or exhibits a marked change in performance or
 - E. The appliance has been dropped or the enclosure damaged.
17. **Servicing** – The user should not attempt to service the appliance beyond that described in the operating instructions. All other servicing should be referred to qualified service personnel.

SPECIAL CAUTIONS FOR COMPACT DISC PLAYER

- This Compact Disc Player contains a semiconductor laser system and is classified as a "CLASS 1 LASER PRODUCT". So, to use this model properly, read this Owner's Manual carefully. In case of any trouble, please contact the store where you purchased the unit. To prevent being exposed to the laser beam, do not try to open the enclosure.
- Models shipped to appropriate countries will have the following label affixed on the rear panel in compliance with IEC 825.



- The laser is covered by a housing which prevents exposure during operation or maintenance. However, this product is classified as a Laser Product by CDRH (Center for Devices and Radiological Health) which is a department of the Food and Drug Administration. According to their regulations 21 CFR section 1002.30, all manufacturers who sell Laser Products must maintain records of written communications between the manufacturer, dealers and customers concerning radiation safety. If you have any complaints about instructions or explanations affecting the use of this product, please feel free to write to the address on the back page of this manual. When you write us, please include the model number and serial number of your Compact Disc Player.
- In compliance with Federal Regulations, the certification, identification and the period of manufacture are indicated on the rear panel.
- **DANGER:**
INVISIBLE LASER RADIATION CAN OCCUR WHEN THE PLAYER OPEN AND THE INTERLOCK HAS FAILED OR IS DEFEATED. AVOID DIRECT EXPOSURE TO BEAM.
- **CAUTION:**
THIS PRODUCT UTILIZES A LASER. USE OF CONTROLS OR ADJUSTMENTS OR PERFORMANCE OF PROCEDURES OTHER THAN THOSE SPECIFIED HEREIN MAY RESULT IN HAZARDOUS RADIATION EXPOSURE.

FCC INFORMATION FOR USER

CAUTION:

Changes or modifications not expressly approved by the party responsible for compliance could void the user's authority to operate the equipment.

NOTE:

This equipment has been tested and found to comply with the limits for a Class B digital device pursuant to Part 15 of the FCC Rules. These limits are designed to provide reasonable protection against harmful interference in a residential installation. This equipment generates uses and can radiate radio frequency energy and if not installed and used in accordance with the instructions may cause harmful interference to radio communications. However there is no guarantee that interference will not occur in a particular installation. If this equipment does cause harmful interference to radio or television reception which can be determined by turning the equipment off and on the user is encouraged to try to correct the interference by one or more of the following measures:

- Reorient or relocate the receiving antenna.
- Increase the separation between the equipment and receiver.
- Connect the equipment to an outlet on a circuit different from that to which the receiver is connected.
- Consult the dealer or an experienced radio/TV technician for help.

- THIS DIGITAL APPARATUS DOES NOT EXCEED THE CLASS B LIMITS FOR RADIO NOISE EMISSION FROM DIGITAL APPARATUS SET OUT IN THE RADIO INTERFERENCE REGULATIONS OF THE CANADIAN DEPARTMENT OF COMMUNICATIONS.
- L'INTERFERENCE, RADIO ELECTRIQUE GENEREE PAR CET APPAREIL NUMERIQUE DE TYPE B NE DEPASSE PAS LES LIMITES ENONCEES DANS LE REGLEMENT SUL LES PERTURBATIONS RADIO ELECTRIQUES, SECTION APPAREIL NUMERIQUE, DU MINISTERE DES COMMUNICATIONS.

Precautions

1. Warranty Card

The serial number is written on the rear panel of this unit. Copy the serial number and model number onto your warranty card and keep it in a safe place.

2. Power

WARNING

BEFORE TURNING ON POWER FOR THE FIRST TIME, READ THE FOLLOWING SECTION CAREFULLY.

- Some models are designed for use only with the power supply voltage of the region where they are sold.

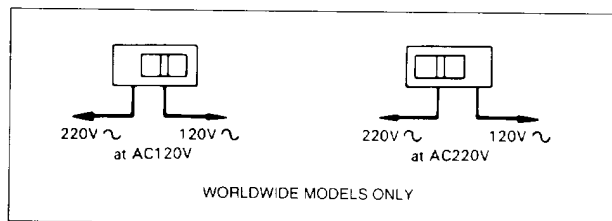
USA & Canadian models: AC 120V, 60Hz
Worldwide model: AC 120V and 220 V switchable, 50/60Hz

U.K. and Australian Models: AC 240V, 50Hz
European model: AC 230V, 50Hz
(except U.K.)

- **Voltage Selector (Rear Panel)**

Worldwide models are equipped with a voltage selector to conform with local power supplies. Be sure to set this switch to match the voltage of the power supply in your area before turning the power button on.

Voltage is changed by sliding the groove in the switch with a screwdriver to the right or left. Confirm that the switch has been moved all the way to the right or left before turning the power button on. Models without a voltage selector can only be used in areas where the power supply is the same as that of the unit.



3. Do Not Touch the Player with Wet Hands

Do not handle the player or power cord when your hands are wet or damp. If water or any other liquid enters the player cabinet, take the player to an authorized service station for inspection.

4. Location of the Player

- Place the Player in a Well-Ventilated Location.
Take special care to provide plenty of ventilation on all sides of the player especially when it is placed in an audio rack. If ventilation is blocked, the player may overheat and malfunction.
- Do not expose the player to direct sunlight or heating units as the player's internal temperature may rise and shorten the life of the pickup.
- Avoid damp and dusty places and places directly affected by vibrations from the speakers. In particular, avoid placing the unit on or above one of the speakers.
- Be sure the player is placed in a horizontal position. Never place it on its side or on a slanted surface as it may malfunction.
- Do Not Place Near Tuners and TV Sets.
If placed next to a TV or other tuner, it may cause reception interference resulting in some noise in the TV or tuner output.

5. Care

From time to time you should wipe off the front and rear panels and the cabinet with a soft cloth. For heavier dirt, dampen a soft cloth in a weak solution of mild detergent and water, wring it out dry, and wipe away the dirt. Following this, dry immediately with a clean cloth. Do not use rough material, thinners, alcohol or other chemical solvents or cloths since these may damage the finish or remove the panel lettering.

6. Points to Remember

- If the player is brought from a cold environment to a warm one or is in a cold room that is quickly heated, dew may form on the pickup, preventing proper operation. In this case, remove the disc and leave the power on for about one hour to remove the dew.
- Always close the disc tray when not loading or unloading discs to protect delicate internal parts from dust.
- When transporting the player, be careful not to bump it.

Before using this unit

■ Supplied Accessories

Audio cord × 1



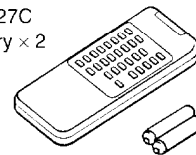
RI remote control cable × 1



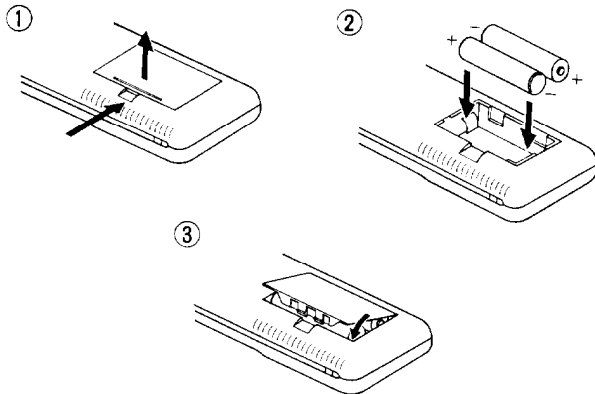
Remote control

RC-227C

Battery × 2



■ Remote control Battery Insertion



- ① Push the battery cover on the rear of the remote control in the direction of the arrow and lift it up.
- ② Load the two batteries that came with the remote control or two batteries listed in the table. Load them with the (+) and (-) ends facing as shown in the diagram.
- ③ Put the battery cover back in place.

Use of Batteries

- The remote control is powered by two batteries.
- Before using this unit for the first time, insert the two batteries (included) as shown in the diagram.
- Average battery life is about one year. This period may be shorter depending on the frequency of use and environment (temperature and humidity) in which the remote control is used.
- If the remote control does not operate even though front panel controls function normally, the batteries should be replaced. Use only batteries listed in the following chart.

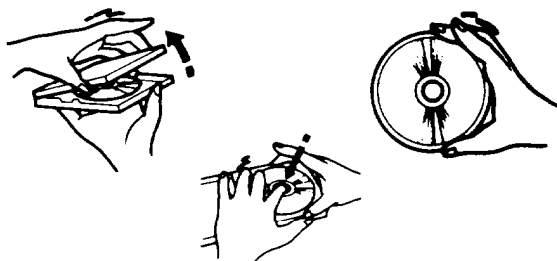
Type	Voltage	Size
Manganese	1.5V	AA R6 UM-3

NOTES:

1. Do not leave an expired battery in the case as it may leak or damage the battery case.
2. When inserting the batteries, be sure the (+) and (-) ends are properly aligned.
3. Do not use nickel-cadmium (rechargeable) batteries.
4. Do not use one specified (manganese) battery and one alkaline battery at the same time.
5. Replace both batteries at once; do not use one old and one new battery together.

Handling Compact Discs

How to open a disc case and remove a disc.



- Always handle compact discs with care so that they are not scratched, soiled or damaged.
- A dry soft cloth may be used to wipe dust, fingerprints, etc off the surface.
- Make absolutely sure not to use any type of volatile agent, such as thinner or benzine. Also avoid using a conventional record cleaner or antistatic agent.
- Avoid placing a disc in direct sunlight, and locations subject to extremely high humidity or low temperature.
- When a disc is going to be left unused for a long period of time, be sure not to leave it in the player but store it in the case.

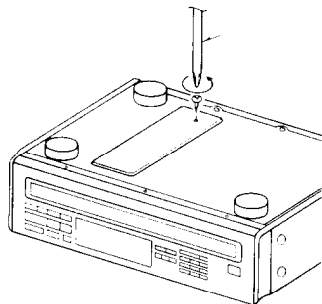
System connections

- Do not plug in the power cord until all connections have been made.

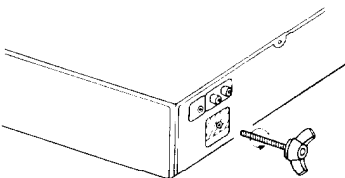
How to release the transport lock

- To protect the unit from vibration related damage during shipping, this unit is equipped with transport lock screws.

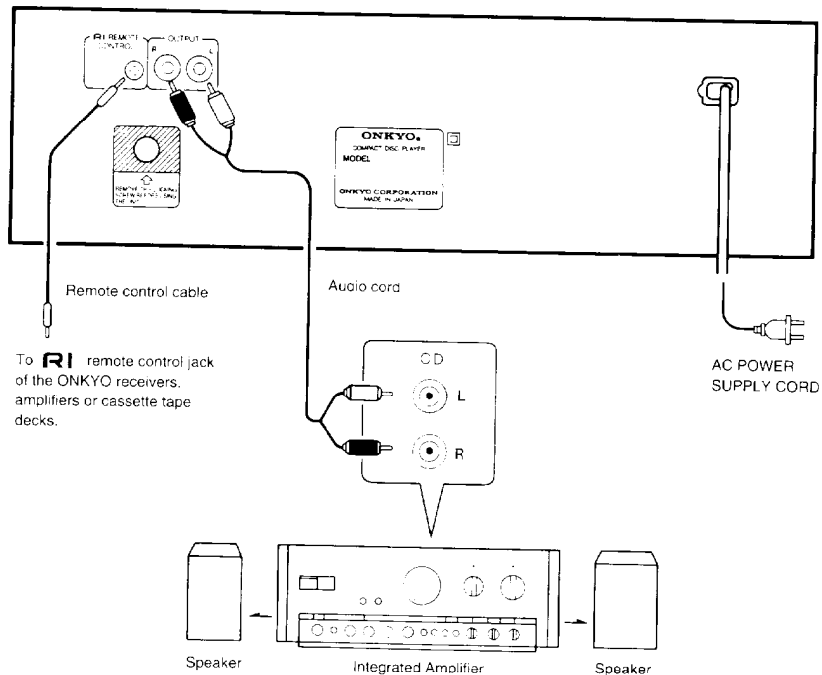
- Bottom of the unit
Remove the screw using a Phillips screwdriver.



- Back of the unit
Remove the nut by hand.



- When shipping the unit, reverse the procedure and replace the nut followed by the screw.



Connecting to the analog OUTPUT jacks

Connect the OUTPUT jacks of this unit to the CD or AUX input jacks of an amplifier. When making connections, be sure that the left and right channel connections are not crossed.

Remote Control jack

The remote control jack is used to connect ONKYO products bearing the "RI" mark via the accessory remote control cable.

The cassette deck with the "RI" mark can be operated using the RC-227C remote control provided as an accessory with the DX-C210/C110. When this unit is connected with ONKYO receivers or amplifiers bearing the "RI" mark, it can also be controlled by the remote control of that unit. (Refer to the operating instructions of your stereo receiver or amplifier for details.)

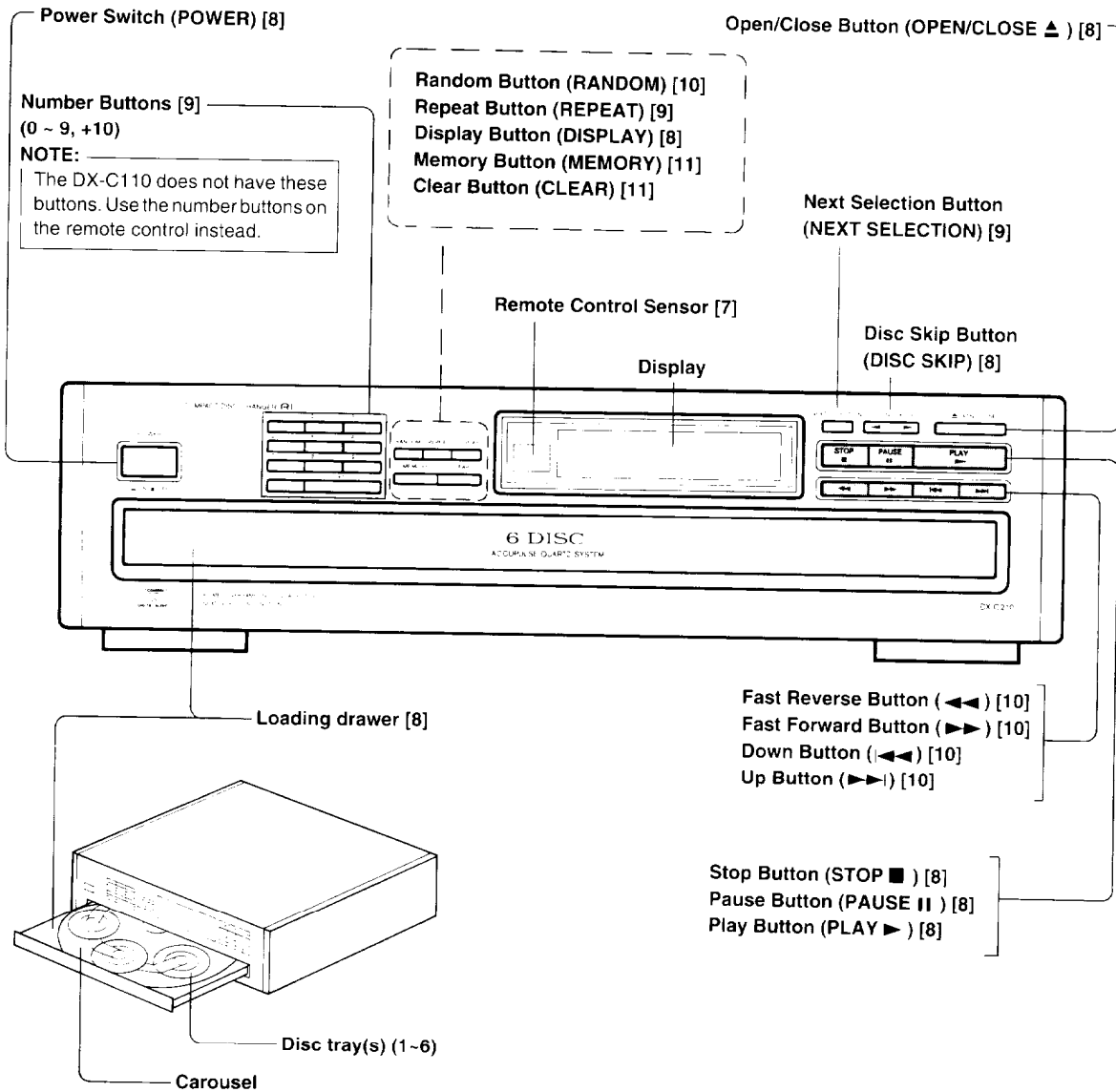
NOTE:

Do not connect the **RI** remote control jack to any unit that does not bear the ONKYO "RI" mark. Doing so may damage the unit.

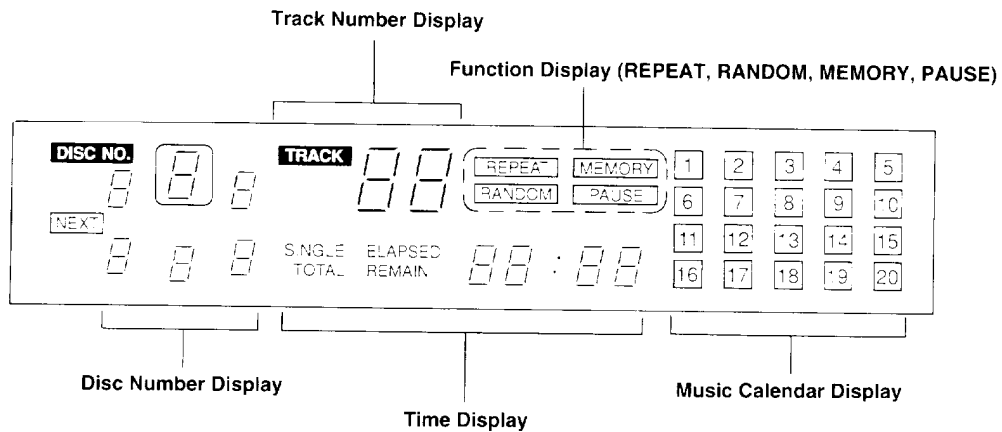
Control positions and names

Front panel

For more information about buttons or controls, turn to the page number listed in the [].

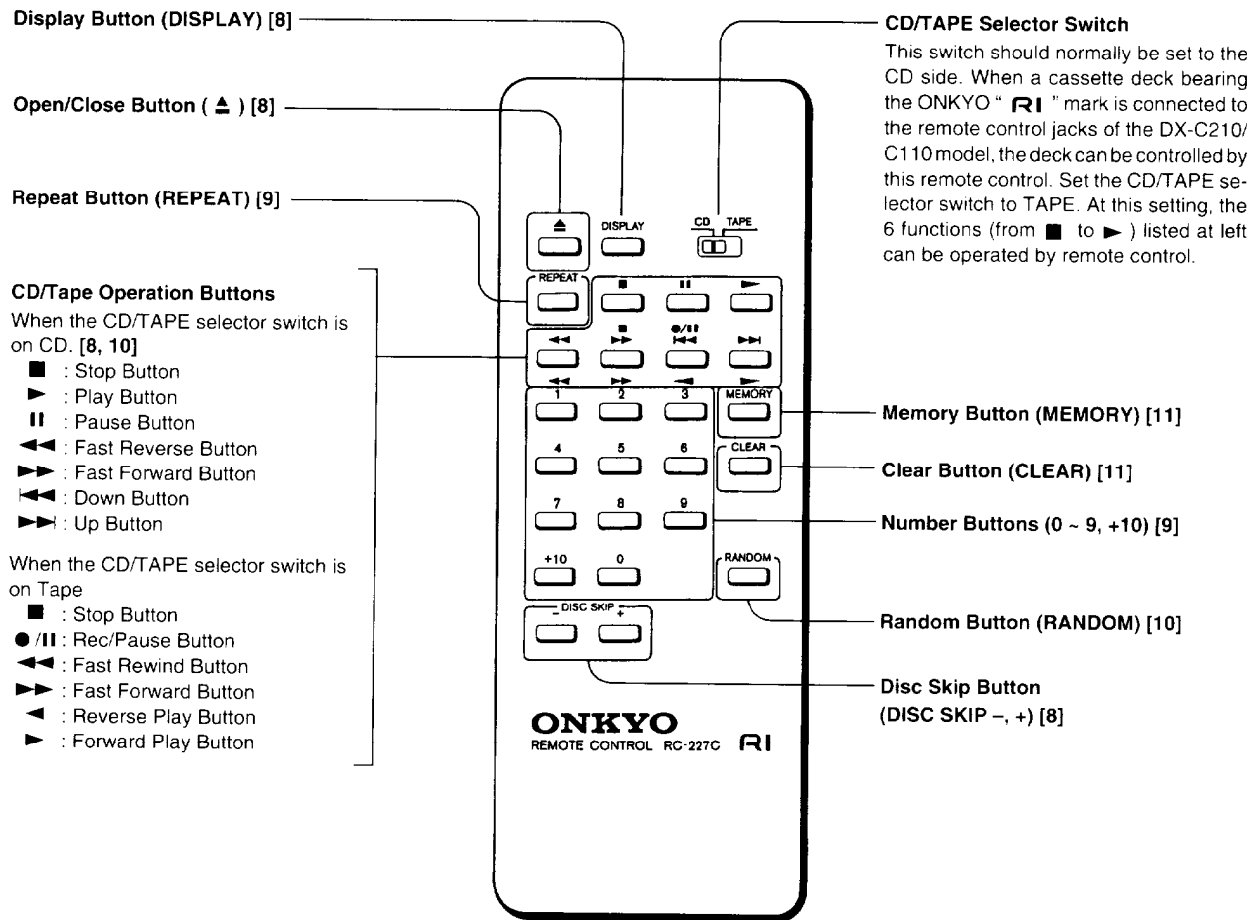


Display



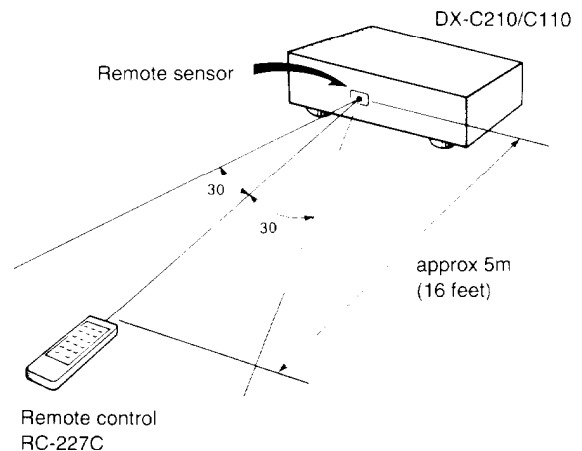
Remote control RC-227C

- Buttons not described below are operated in the same way as the buttons on the main unit.



Using the remote control

- Remove the batteries if the remote control is not going to be used for a long time.
- The batteries of the remote control must be replaced periodically.
- This unit uses infrared rays. Therefore, commands may not be received properly if the front panel of this unit is exposed to bright light. To prevent this from occurring, place this unit so that it is not directly exposed to bright light.
- If this unit is placed inside an audio rack behind a glass door, the door should not have colored glass or have any decorations on it, since this could shorten the range or prevent commands from being received.
- Use of other infrared remote control devices in the same room may cause interference.
- The transmitter operates up to a distance of about five meters (16 feet). The transmitting window must always be pointed at the reception window when a command is sent to the CD player.
- If this remote control does not operate properly, confirm that the batteries are not dead. If the problem persists, contact your ONKYO Service Center.

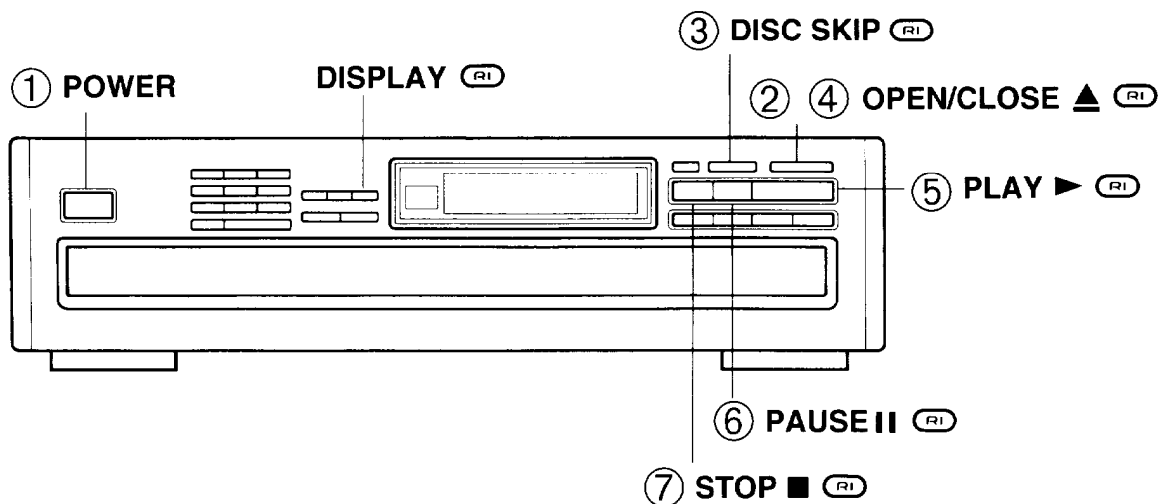


Operations

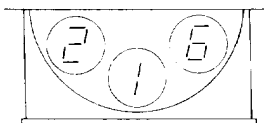
To Load and Play a Disc (Normal Play)

NOTES:

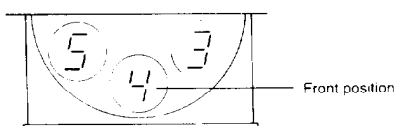
- The buttons marked (RI) can also be operated from the remote control.
- These illustrations for the front panel apply to the DX-C210 only.



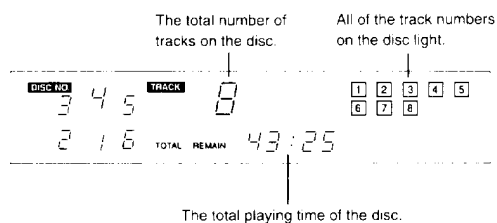
- Press the POWER switch to turn on the power.
When the power is turned on, the carousel rotates to find the position of a disc and stops automatically if there is a disc on the disc tray.
- Press the OPEN/CLOSE ▲ button to open the loading drawer.



- Put the disc(s) in the Disc Tray(s) with labels facing up.
 - Pressing the DISC SKIP (←, →) button rotates the carousel so that you can load discs in the other disc trays.



- Press the OPEN/CLOSE ▲ button again to close the loading drawer.
 - The disc in the front position is ready to play. If there is no disc in the front position of the carousel, the unit rotates to the next Disc Tray until it finds a disc to play. The Disc Tray number with no disc in its tray disappears from the display.



- Press the PLAY ► button
 - The Disc No. and the track number on the Music Calendar display are surrounded by squares and start playing.



The elapsed time of the current track in play.
The display can be changed by DISPLAY button.

- If you put the discs in the disc trays and press the PLAY ► button instead of the OPEN/CLOSE ▲ button, the carousel turns and the disc which you put in front position while the drawer was opened starts to play.
 - After all the discs on the carousel have been played, the display resets to its initial condition when the discs were loaded.
- Press the PAUSE II button to stop the performance temporarily.
 - The PAUSE indicator lights and the playing stops temporarily.
 - To resume playing, press the PLAY ► button. The playing starts up again from exactly where it left off.
 - To stop playing, press the STOP ■ button.
 - When the loading drawer is open, the disc which has been played most recently is towards the front.

■ To change the display

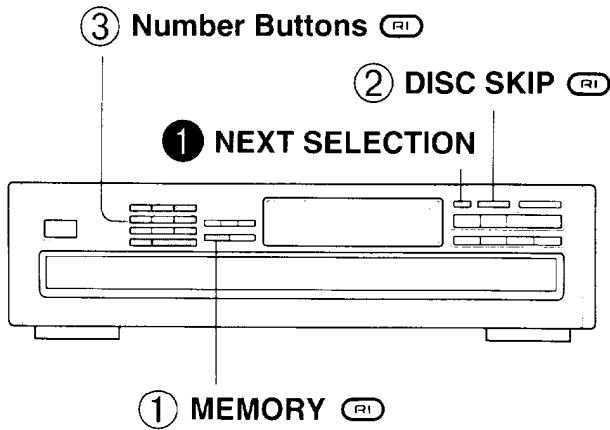
Press the DISPLAY button during playing to switch the display shown in the Time Display among the following three types:

- SINGLE ELAPSED**
Shows how long the current track has been playing.
- SINGLE REMAIN**
Shows how much time is left for the track currently playing.
- TOTAL REMAIN**
Shows how much playing time is left for the entire disc. During memory play, this display shows the playing time remaining for the entire sequence of tracks programmed into memory.

NOTE:

For a track beyond the 20th, the remaining time (SINGLE REMAIN) of the Time display shows " -- : --".

To start from a specific track during stop



- ① Please make sure that the MEMORY indicator is not lit.
 - When the MEMORY indicator is on, press the MEMORY button to turn the indicator off.
- ② Select the desired disc with the DISC SKIP (-, +) button.
 - When you press the PLAY ► button, playback will start with the first track on the selected disc.
- ③ The Number buttons on the front panel or the remote control can be used to select the desired tracks.

After selecting the desired tracks, press the PLAY ► button to start.

■ To select tracks using the Number buttons

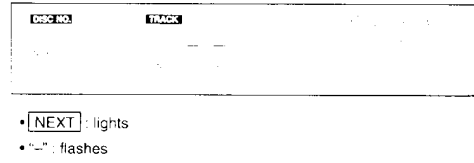
Press buttons that total the number of the track you wish to select.

Examples:

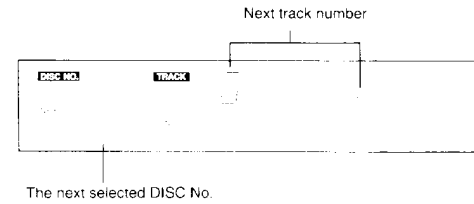
- | | |
|------------------------|--|
| To select track No. 3 | Press the 3 button. |
| To select track No. 10 | Press the +10 button, then the 0 button. |
| To select track No. 15 | Press the +10 button, then the 5 button. |
| To select track No. 20 | Press the +10 button twice, then the 0 button. |
| To select track No. 21 | Press the +10 button twice, then the 1 button. |

To select the next desired track during play

- ① Press the NEXT SELECTION button.
 - If you do not operate within approximately 8 seconds, it will be cancelled. In such a case, press the button again.



- ② Select the desired disc with the DISC SKIP (-, +) button.
 - If you select a track of a disc being played, this operation is not necessary.
- ③ The Number buttons on the front panel or the remote control can be used to select the desired tracks.

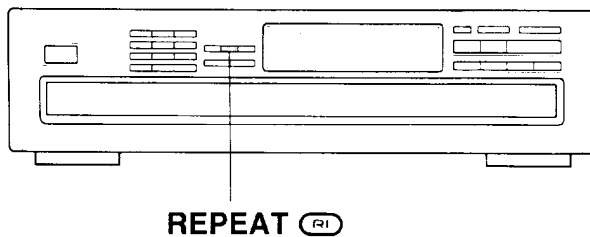


- When the track which has been playing is finished, the track of the disc selected using the NEXT SELECTION button will then be played. The other functions are the same as normal play. When playback of the last track has finished, the unit stops.
- To play the next selected disc normally, from the beginning to the end, you must do one of the following after operation ②;
 - Press number 0 button on the front panel or the remote control.
 - Press NEXT SELECTION button again.
 - Nothing will operate for the next 8 seconds.

NOTE:

If the disc which has been selected is not in the Disc Tray, the next disc is played in the normal way, starting from the beginning. If a track which is not on the disc is selected, the disc which was designated is played in the normal way, starting from the beginning.

To listen to the discs over and over (Repeat Play)



Press the REPEAT button. (You can press this button before playing begins or in the middle of playing.)

- The REPEAT indicator lights, and all disc(s) inserted in the tray(s) is played repeatedly. (Full Repeat).
- During memory play, when the disc player reaches the end of the sequence of tracks programmed into memory it repeats that sequence.
- In random play, the contents of a disc are rearranged after the last track is played, and then the play resumes. In the case of memory random play, all the tracks programmed into memory are rearranged, and then the playing resumes.

■ To cancel Repeat Play

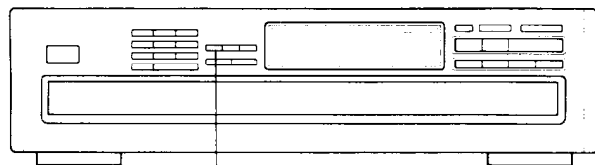
Press the REPEAT button.

- The REPEAT indicator will go off and normal play (Memory Play or Random Play) will start.

After the last track on the disc has been played, playback stops.

To play back in random order (Random Play)

Use this button when you want to play back the contents of all discs in the trays in random order.



RANDOM (RI)

With the unit in either Stop mode or Play mode, press the RANDOM button.

- The RANDOM indicator will light up and Random playback will commence.
- After all the tracks on the discs have been played in random order, playback stops.
- If Repeat Play has been selected, the unit will continue to play back tracks at random until Repeat Play is canceled.
- To play back specified tracks in random order, program the desired tracks into memory first, then press the RANDOM button.

■ To cancel Random Play

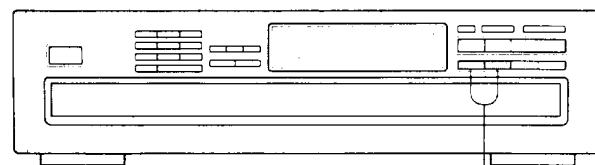
Press the RANDOM button or STOP ■ button.

- The RANDOM indicator will go off.
- When you press the RANDOM button during playback, the unit enters the normal play mode. When the last track has been played, playback stops. When you press the STOP ■ button, RANDOM play will be canceled and playback stops.

To fast forward and reverse

To move to a specific position on the disc while in playback or pause mode use the ►► button or ◀◀ button.

In playback mode you can search the track, listening to the speakers or through headphones.



(RI) ◀◀, ►►

Press the ►► button to fast forward.

Press the ◀◀ button to reverse.

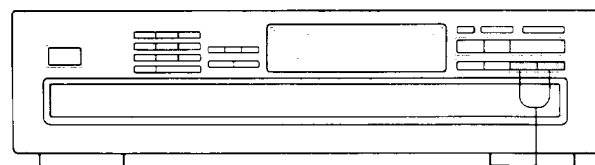
- The pickup continues to move rapidly forward or reverse as long as you hold down the ►► button or ◀◀ button.
- When you have located the position you want, release the button. Playback starts from that position.
- If you fast forward all the way to the end of the disc, the next disc is played.
- During memory play, when the pickup is forwarded to the end of the current track, with the ►► button, the pickup comes to the next programmed track and playback begins.
- During random play, when the pickup is forwarded to the end of the current track by pressing the ►► button, random play starts again.
- If the ◀◀ button is held down during normal play, playing restarts from the beginning of the first track on the disc. If the ◀◀ button is held down in memory play or random play modes, playing restarts from the beginning of the current track.

NOTE:

When the unit is in pause mode, press the PLAY ► button to restart.

To search for a desired track

To search for a desired track quickly in playback or pause mode, use the ►| button or |◀ button.



(RI) |◀, ►|

■ To skip to the next track

Press the ►| button.

- The current track is interrupted and the pickup moves to the beginning of the next track.
- The pickup moves forward one track each time you press the ►| button. On reaching the end of the disc, the next disc is searched.
- During memory play the pickup moves to the beginning of the next track in memory.
- During random play, the pickup skips to the beginning of a randomly selected track on a random disc.

■ To return to the beginning of the track

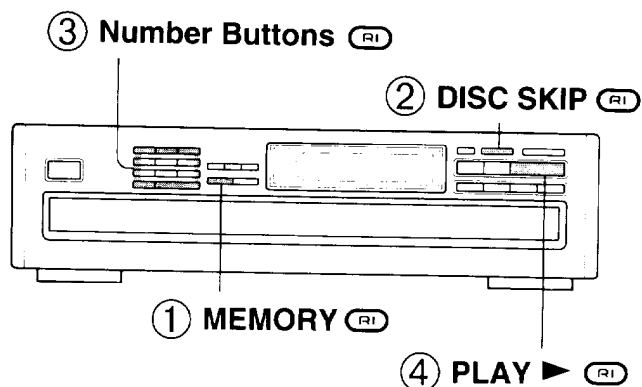
Press the |◀ button.

- Playing is interrupted and the pickup moves to the beginning of the current track.
- If you press the |◀ button again before the pickup reaches the beginning of the current track or you press the |◀ button twice in a row, the pickup goes back to the beginning of the previous track.
- During memory play the pickup goes to the beginning of the preceding track in memory.
- During random play, the pickup skips to the beginning of the current track.

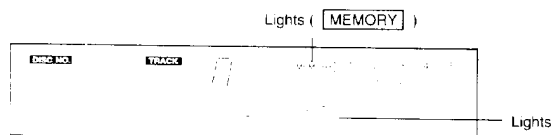
NOTES:

- When the unit is in pause mode, press the PLAY ► button to restart.
- If the unit is in stop mode, the track number may be selected using the |◀ button or the ►| button.

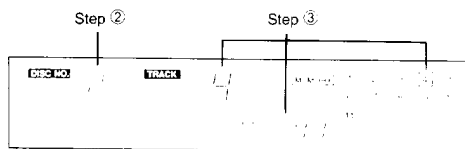
To program and play the memory



- ① Press the MEMORY button.
 - The MEMORY indicator will light up, and "P-00" will appear on the Time display.



- (If the memory button is pressed during play, the track being played is stored into memory and further tracks can be stored into memory with the operation in ② below.)
- ② Press the DISC SKIP (-, +) button to select the desired disc.
 - ③ Select the track you desire using the Number buttons on the front panel or the remote control (Refer to "To select tracks using the Number buttons" on page 9).
 - To continue programming the memory, enter the number of the next track to be programmed. When you wish to continue storing other discs in memory, repeat steps ② and ③. Up to 40 tracks can be programmed in the memory by repeating this step.
 - When more than 40 tracks are programmed, "FULL" will light for a few seconds on the TRACK Number display to indicate that memory is full.
 - If "0" of the number buttons is stored in memory, all the tracks on that disc will be stored in memory. The display "AL" will be displayed on the TRACK Number display.



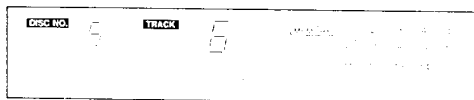
- The above display is shown when the fourth track of the DISC No. 2 is stored into the memory as the first track to be played (P-01).
- ④ To listen to the disc from in memory in the programmed order, press the PLAY ► button.
 - Play begins in the programmed order, i.e. beginning with the first track programmed in the Music Calendar.

NOTES:

- Although more than 20 tracks can be stored, the Music Calendar cannot display numbers greater than 20. The DISC No. and TRACK Number displays are always correct.
- If the total remaining time is more than 99 minutes 59 seconds or when the contents stored in memory extend over 2 or more discs, "--:--" is displayed.
- If non-existing selections of disc(s) or track(s) are entered, the corresponding indicator (disc or track) will illuminate and the selection is included in the program count. During play, the non-existing selection(s) will be cancelled and the subsequent programmed disc or track will be played.

To check the contents of the memory

- ① If in memory play, press the STOP ■ button so that the play comes to a memory stop.
 - The last memory channel and its track number will appear on the Track Time display and the Track Number display.
- ② Press the ◀◀ or ▶▶ button. The display changes each time when you press the buttons.



- The above display is shown when the sixth track of the DISC No. 5 is stored into the memory as the second track to be played (P-02).

To cancel the contents of the memory

Press the CLEAR button.

- The last track in memory will be cancelled.
- During memory play, the current track in play and tracks previously programmed cannot be cancelled.
- Press the MEMORY button when the contents have been completely erased at one time. During memory play, however, normal play takes place, playing the current through the last tracks.

Troubleshooting guide

Trouble	Cause	Remedy
Power switch is pressed but power does not come on.	<ul style="list-style-type: none"> ● Power cord plug is not properly connected to AC outlet. 	<ul style="list-style-type: none"> ● Insert plug firmly.
Disc loaded but play does not begin.	<ul style="list-style-type: none"> ● Disc is loaded upside-down. ● Disc is dirty. ● Dew on pickup. 	<ul style="list-style-type: none"> ● Load disc with the label side facing upward. ● Clean the disc. ● Place unit in warm place for about one hour.
No sound.	<ul style="list-style-type: none"> ● Incomplete connections. ● Improper input selector switch setting on amplifier. 	<ul style="list-style-type: none"> ● Insert all plugs firmly in jacks. ● Set switch to proper position.
Skipping.	<ul style="list-style-type: none"> ● Disc is dirty. ● Disc is scratched. ● Unit has been exposed to a strong bump. 	<ul style="list-style-type: none"> ● Clean the disc. ● Use another disc. ● Place the unit in a more stable location.
Search time (when moving to a specific track) is extremely long.	<ul style="list-style-type: none"> ● Disc is dirty. ● Disc is scratched. 	<ul style="list-style-type: none"> ● Clean the disc. ● Use another disc.
Track numbers cannot be stored in the memory.	<ul style="list-style-type: none"> ● No disc is in the tray. ● A track number not on the disc is being used. 	<ul style="list-style-type: none"> ● Load a disc. ● Use only track numbers on the disc.

Specifications

Model DX-C210/C110

Compact Disc Player with optical pickup

Signal readout system: Optical non-contact
 Reading rotation: About 500 – 200 r.p.m.
 (constant linear velocity)
 Linear velocity: 1.2 – 1.4 m/s
 Error correction system: Cross Interleave Reed-Solomon code
 D/A converter: 1 bit PWM/ACCUPULSE
 D/A CONVERTER
 Sampling frequency: 352.8 kHz (8 times oversampling)
 Number of channels: 2 (stereo)
 Frequency response: 2Hz – 20kHz
 Total harmonic distortion: 0.004% (at 1kHz)
 Dynamic range: 96dB
 Signal to noise ratio: 96dB
 Channel separation: 90dB (at 1kHz)
 Wow and Flutter: Below threshold of measurability
 Output level: 2 volts r.m.s.
 Power consumption: 12 watts

Power supply rating: USA & Canadian models:
 AC 120V, 60Hz
 Worldwide Model:
 AC 120V and 220V switchable,
 50/60Hz
 U.K. and Australian Models:
 AC 240V, 50Hz
 European Model (Except U.K.)
 AC 230V, 50Hz

Dimensions
 (W x H x D): 455 x 120 x 426 mm
 (17-15/16" x 4-3/4" x 16-13/16")

Weight: 7.7kg, 17.0lbs.

Supplied accessories:

- Output signal cord
- **RI** remote control cable
- Remote control transmitter
RC-227C
- UM-3/R6/AA

Specifications and external appearance are subject to change without notice because of product improvements.

ONKYO CORPORATION

International Division: 2-1, Nisshin-cho, Neyagawa-shi, OSAKA 572, JAPAN
Tel: 0720-31-8133 Fax: 0720-34-1340

ONKYO U.S.A. CORPORATION

200 Williams Drive, Ramsey, N.J. 07446, U.S.A.
Tel: 201-825-7950 Fax: 201-825-8150

